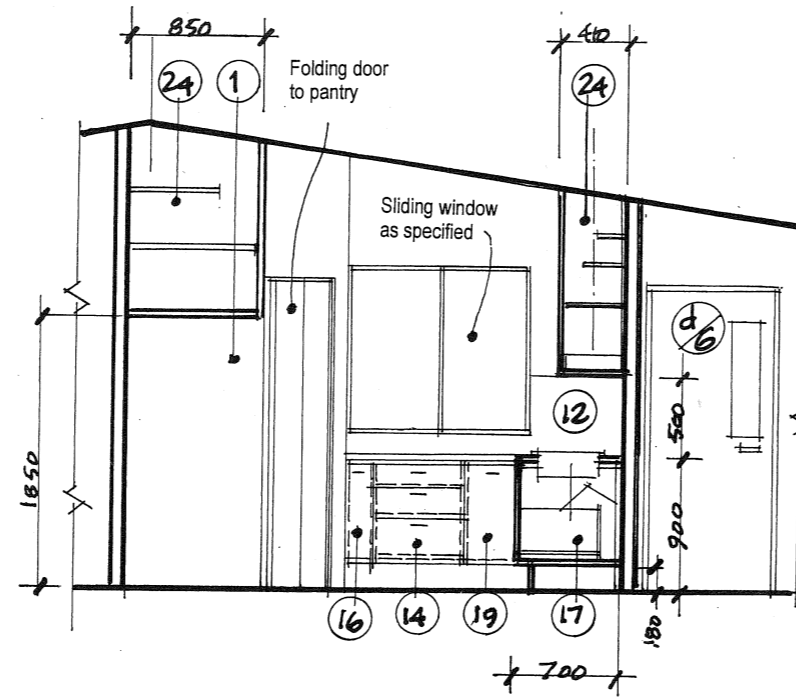
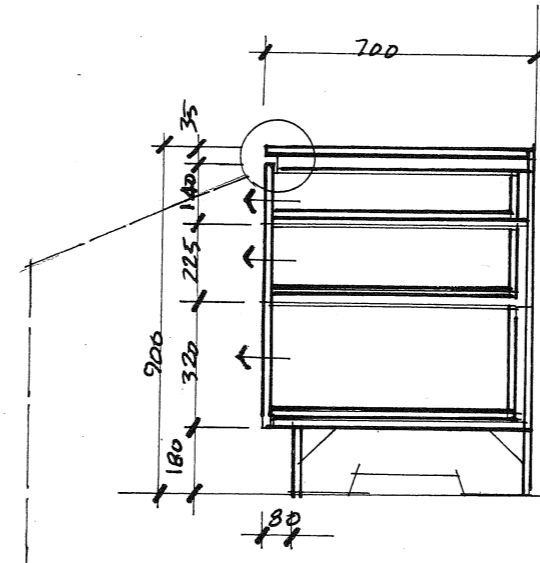


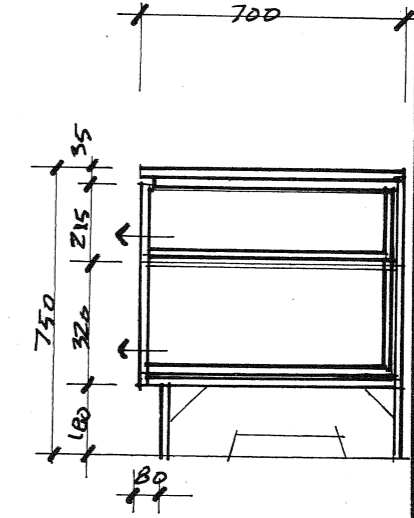
1:50 scale section A



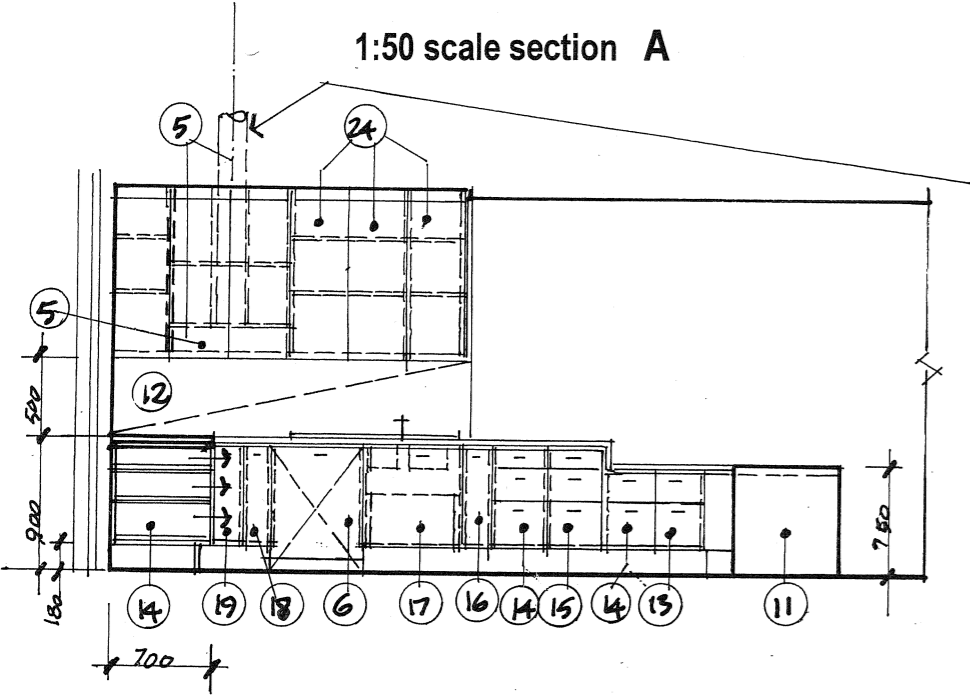
1:50 scale section B



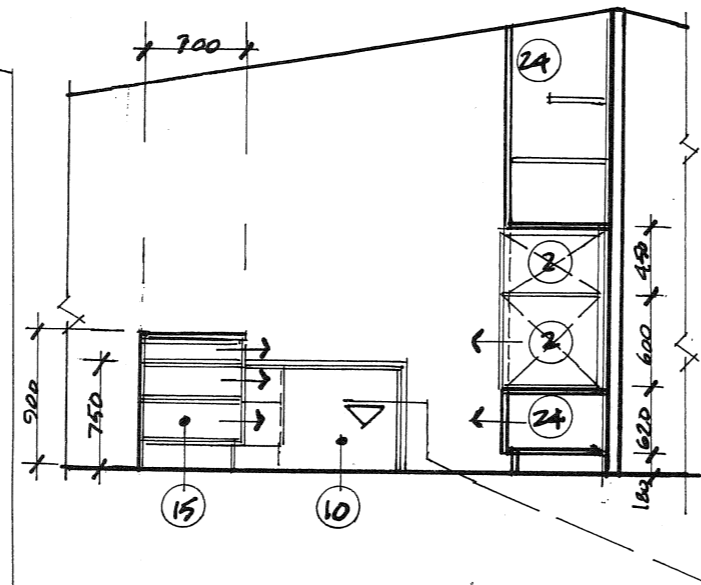
1:20 sectional detail thro' 900mm high unit



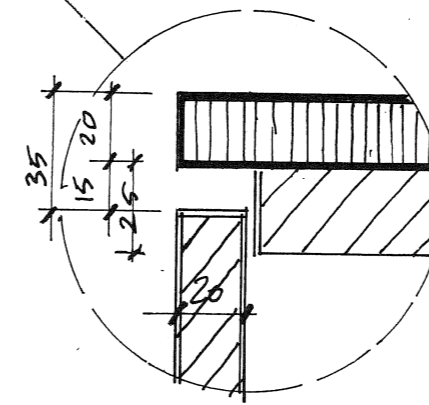
1:20 sectional detail thro' 750mm high unit



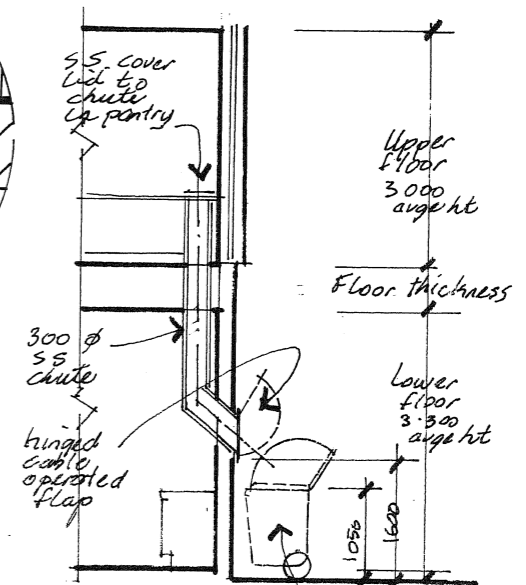
1:50 scale section C



1:50 scale section D

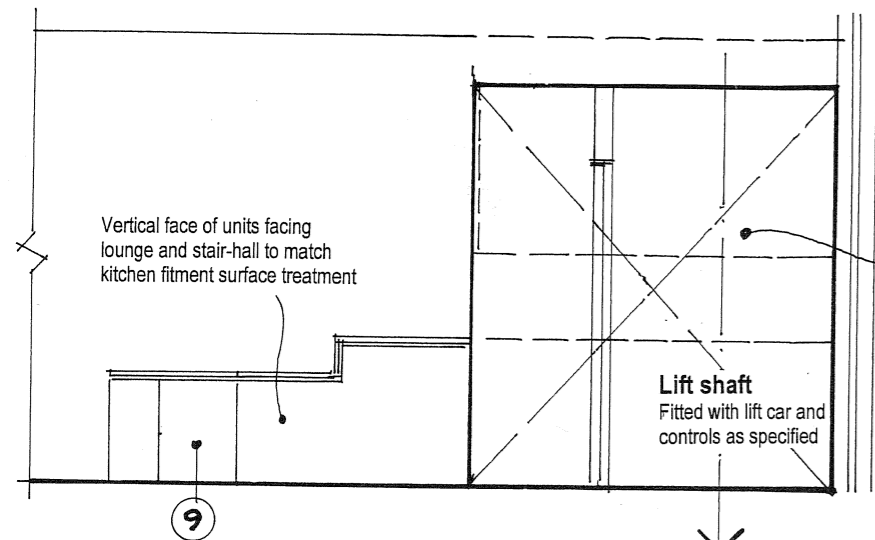


1:2 scale detail of benchtop foredge



1:100 scale diagrammatic section thro' waste disposal chute system

Supply and install a 300mm diameter stainless steel waste disposal chute built into bench fitment in pantry where shown on plan.
Chute fitted with lift-off circular stainless steel lid at the access point in the pantry with the chute having an angled section in the ground floor level laundry where shown in it's vertical length, to facilitate it's terminal point outside the external face of the house at the lower level.
This 'terminal' point to be at a height consistent with the discharge of 'bagged' non-recycleable waste material into a Council 'wheelie bin'.
The opening of the terminal flap of the chute immediately above a designated 'wheelie' bin including the opening and closing of the wheelie bin lid, is to be by a system of cable operated controls located in the pantry is to be installed to later details and site instructions.

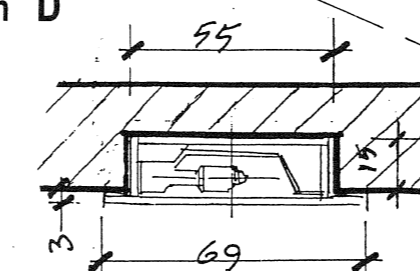


1:50 scale section E

Range hood flue exhaust and terminal
100 dia GSI flue connected to exhaust point of range hood and discharging thro' roof structure to a point 600mm above line of roof cladding, with flue fitted with a conical cowling painted to match colourbond finish of roofing.
Exposed section of flue to be fitted with a GSI 'apron' flashing dressed onto profile of roofing and painted to match colourbond roofing finish.

Section of plasterboard painted wall dividing kitchen from lift and upper stair hall, with upper and lower level kitchen fitments fitted to inside (ie, kitchen side) of this wall

Lift shaft
Fitted with lift car and controls as specified



1:2 scale detail of vertical panel to meals bench (10)

Recessed 'quartz halogen' lighting to underside of upper level cupboards
Supply and install a minimum of three (3) 'Hafele' ECONO quartz halogen light fittings (Cat No 823.94.220) flush mounted into thickness of the bottom shelf of the upper level cupboards, spaced as directed by architect.

Cross reference this sheet (18/a) with the plan details on sheet No 17/a for schedule of fitments/appliances to upper floor kitchen and for general notes related to construction and site assembly of all built-in fitment at both levels.

Re-development of existing dwelling at 7, Imlay St., Merimbula NSW 2548 for, Alex Cochran and Desiree Parker, to provide full 'accessibility' throughout all habitable areas within and to the periphery of the extended house

WORKING DETAILS

1:50 scale elevations and sections of kitchen at upper floor level

Project No, 2006-008
Date, 12.10.07
Scales, 1:50
Drawn, Harry

Sheet No, 18/a

Architect,
Harry Sprintz
FRAIA LFDIA M.ACAA
MA Design/Research for Disability (Lond Guildhall univ)
Registered Architect (NSW/ACT)
Interior Designer (DIA Accredited)
Disability Access Planner (ACAA Accredited)

Office,
Unit 7, 'Doncaster Apartments'
No 1 Heidelberg Avenue,
NEWINGTON NSW 2127
02-96482822 & 9648 2825
Facsimile, 02-9748 0060
Mobile No, 0411 632 674

Note !!
Refer to all other issued detail drawings and notes of the built-in fitments and in particular to the 1:20 scale plan details and sketch on sheet No 17/a

Do not scale drawings, figured dimensions take precedence over 'scaled' sizes.
Check all site sizes, levels and conditions prior to commencing works.